

DIY Project Developer Tool

We designed this valuable tool for you with rarely asked subject matter only skilled experts examine. Once completed use our tool as your secret evaluator to assess both expertise and value shopping for your dream project. At the end of the process schedule an appointment or simply email us your file for a technical and value confirmation.

PROJECT DETAILS

- NEW CONSTRUCTION
 REMODEL
 HOME IS _____ YEARS OLD

MY PROJECT WILL INCLUDE:

- MOSTLY REDECORATING _____
 NEW APPLIANCES _____
 NEW CABINETS _____
 NEW COUNTERS AND FLOORING _____
 STRUCTURAL CHANGES _____

WHEN ARE YOU PLANNING TO BEGIN ? _____

WHAT IS YOUR ANTICIPATED BUDGET?

- UNDER \$5,000
 \$5,000 - \$15,000
 \$15,000 - \$25,000
 \$25,000 - \$35,000
 \$35,000 - \$45,000
 OVER \$45,000

PERSONAL SURVEY

Please complete this sentence. "I want this space to be..."

- pleasing to the eye. I am willing to sacrifice some function to achieve a beautiful kitchen."
 efficient. I don't want to spend a lot of time in the kitchen on routine tasks."
 family friendly. We spend a lot of time in the kitchen together."
 balanced. To achieve this visual symmetry, I will sacrifice function for aesthetics."
 budget-conscious. I've indicated my budget."

How many are in your household? _____

Children's ages? _____

Do you have any pets? _____

The height of the cook(s)? _____

Cooks: Right-handed Left-handed

Are there any special design features or requirements that may need to be incorporated? _____

Number of meals served daily? _____

On average how many people eat at the same time? _____

- I want an eating area in the kitchen.
 With table At Island
 I want a separate eating/dinning area.
 I want both.

Do you entertain frequently? No Yes
 If, Yes Formally Informally

KITCHEN ACTIVITIES

- Homework area
 TV viewing area
 Baking
 Canning/preserving food
 Laundry
 Sorting of recyclables
 Wine Cooler
 Hobbies
 Desk area
 Other

OPTION PLANNING

Which of these options would you like to see in your new kitchen?

- Appliance Garage Storage for
 Coffemaker Toaster Food Process
 Blender Mixer Other
 Apothecary Drawers or Cube cabinets
 Lazy Susan in base corner cabinet
 Pantry with swing-out shelves
 Plate Rack
 Roll-out trays in base cabinets
 Sink tilt out trays
 Spice rack
 Stem glass holder
 Tall utility cabinet with roll out trays
 Wall cabinets prepared for Glass option or Grille option
 Waste basket or recycle center slide-out
 Wine Rack
 Other _____

OTHER DESIGN ELEMENTS:

DECORATING STYLE

- Country
 Contemporary
 Traditional
 Other _____

COUNTER TOPS

- Laminate
 Ceramic
 Solid Surface _____
 Butcher Block
 Other _____

FLOORING

- Vinyl
 Wood
 Ceramic
 Slate
 Carpet

INTERIOR WALLS

- Brick
 Drywall
 Plaster

CABINETS

DOOR STYLE

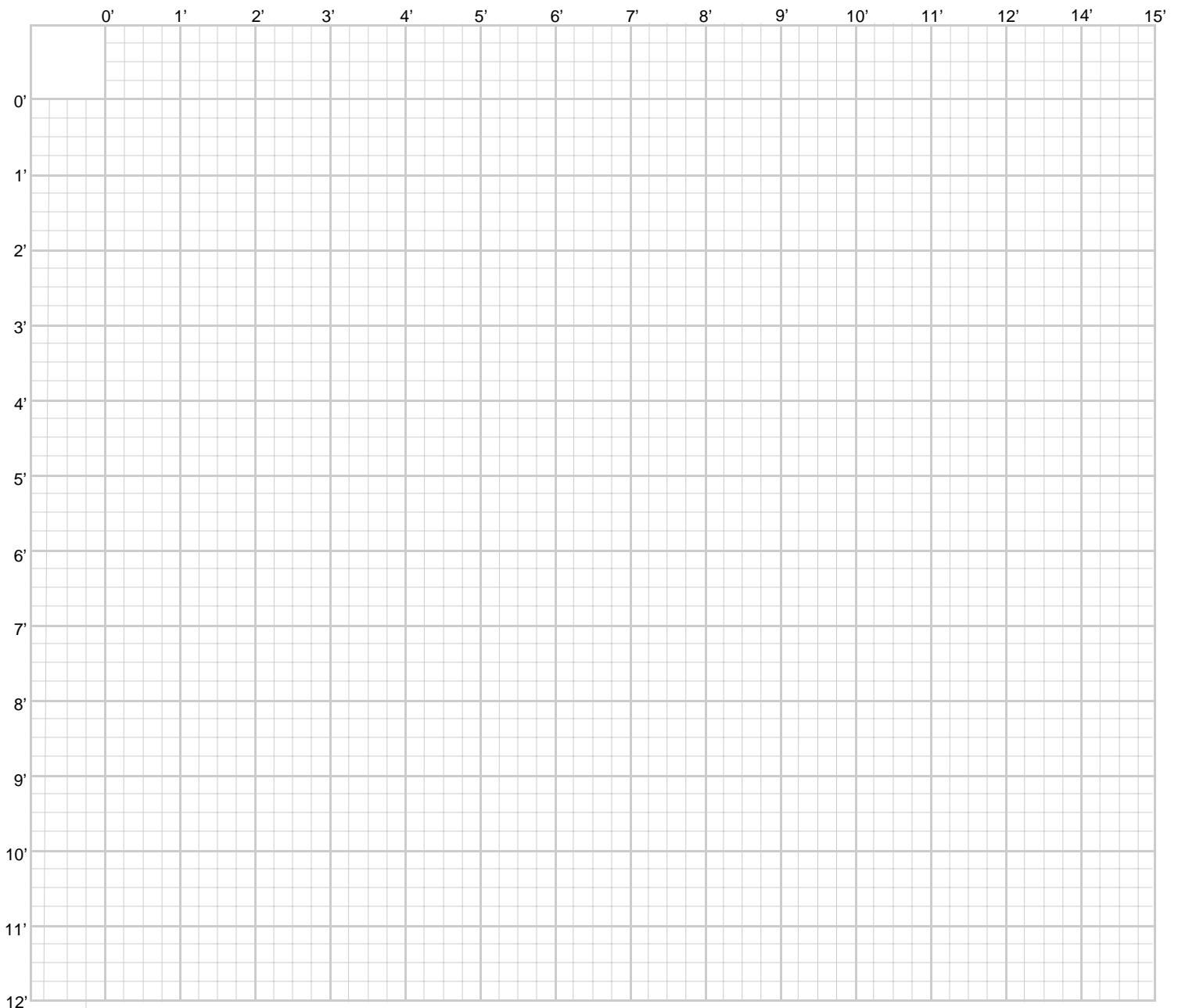
WOOD SPECIES

FINISH STAIN COLOR

Measuring Your Space

1. Start by measuring each wall of the room and recording the inside dimensions. Measure at the floor to ceiling
2. Locate the centerline of the sink and record that onto your drawing, indicate water supply, natural gas supply or 220-volt electric service.
3. Next measure each wall individually recording all critical measurements to include all the obstacles and their location (i.e outlets, switches, lights, cables, heat registers, phone jacks, doors, windows).
4. Measure the height of window sill, height and width of the window and doors and height of ceiling and soffits.—
Record this information on the Door, Window and Soffit charts. Pictures of each wall and other important elements.

Recommended Scale: 1/2" = One Foot



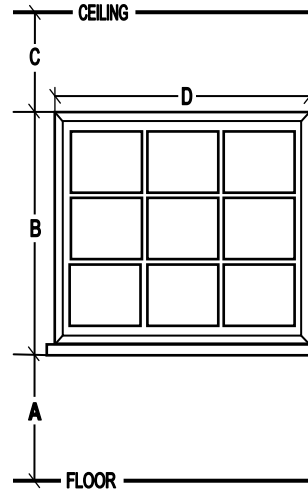
Structural Measurements

WINDOWS

Measure each window in the kitchen and record below. All measurements should be from the outside edge of the trim. If window treatments are to be used they will be inside or outside mount.

Record all measurements in inches

Window	A	B	C	D
1				
2				
3				
4				

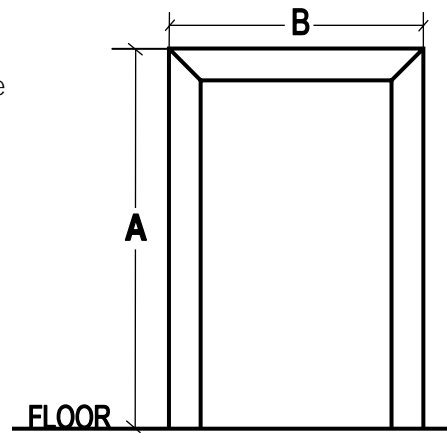


DOORS

Measure each door in the kitchen and record below. All measurements should be from the outside edge of the trim. If patio doors are to have draperies or blinds, they will be: inside or outside mount.

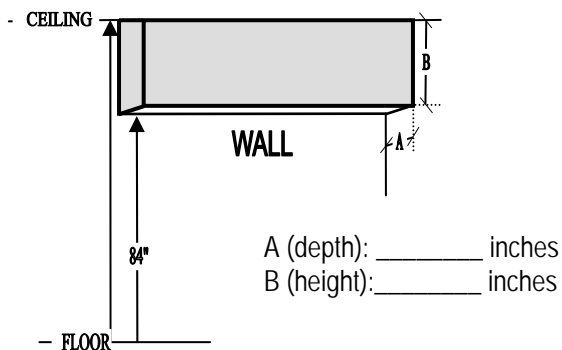
Record all measurements in inches

Door	A	B	Hinge (L/R)	Swing (In/Out)
1				
2				
3				
4				



SOFFIT

A soffit is the bulkhead between the ceiling and the top of the cabinets. Distance from the floor to the soffit should be at least 84". Allow 1/4" more if you install a 84" tall cabinet. Soffit depth may vary, however normal depth is 13" or 1" deeper than a wall cabinet. *Note: Check the soffit height and depth to ensure the cabinets do not extend beyond the existing soffits.*



ROOM DETAILS:

Record all measurements in inches

_____ A: Ceiling Height

_____ B: Cabinet Height

_____ X C: Soffit (depth & height)

_____ D: Wall Cabinet Height

