

# Project Details

This valuable tool has been specifically designed to help us understand what is important to you!  
Once completed our design staff can provide a full 3D view of your project and council you on any innovations or changes.  
At the end of the process you can rest assured every detail has been reviewed by an expert and your vision is a reality.

## PROJECT DETAILS

- NEW CONSTRUCTION  REMODEL  
HOME IS \_\_\_\_\_ YEARS OLD

MY PROJECT WILL INCLUDE:

- MOSTLY REDECORATING \_\_\_\_\_  
 NEW APPLIANCES \_\_\_\_\_  
 NEW CABINETS \_\_\_\_\_  
 NEW COUNTERS AND FLOORING \_\_\_\_\_  
 STRUCTURAL CHANGES \_\_\_\_\_

WHEN ARE YOU PLANNING TO BEGIN ? \_\_\_\_\_

WHAT IS YOUR ANTICIPATED BUDGET?

- UNDER \$5,000  \$5,000 - \$15,000  
 \$15,000 - \$25,000  \$25,000 - \$35,000  
 \$35,000 - \$45,000  OVER \$45,000

## PERSONAL SURVEY

Please complete this sentence. "I want this space to be..."

- pleasing to the eye. I am willing to sacrifice some function to achieve a beautiful kitchen."  
 efficient. I don't want to spend a lot of time in the kitchen on routine tasks."  
 family friendly. We spend a lot of time in the kitchen together."  
 balanced. To achieve this visual symmetry, I will sacrifice function for aesthetics."  
 budget-conscious. I've indicated my budget."

How many are in your household? \_\_\_\_\_

Children's ages? \_\_\_\_\_

Do you have any pets? \_\_\_\_\_

The height of the cook(s)? \_\_\_\_\_

Cooks:  Right-handed  Left-handed

Are there any special design features or requirements that may need to be incorporated? \_\_\_\_\_

Number of meals served daily? \_\_\_\_\_

On average how many people eat at the same time? \_\_\_\_\_

- I want an eating area in the kitchen.  
 With table  At Island  
 I want a separate eating/dinning area.  
 I want both.

Do you entertain frequently?  No  Yes  
If, Yes  Formally  Informally

## KITCHEN ACTIVITIES

- Homework area  TV viewing area  
 Baking  Canning/preserving food  
 Laundry  Sorting of recyclables  
 Wine Cooler  Hobbies  
 Desk area  Other

## OPTION PLANNING

Which of these options would you like to see in your new kitchen?

- Appliance Garage Storage for  
 Coffemaker  Toaster  Food Process  
 Blender  Mixer  Other  
 Apothecary Drawers or Cube cabinets  
 Lazy Susan in base corner cabinet  
 Pantry with swing-out shelves  
 Plate Rack  
 Roll-out trays in base cabinets  
 Sink tilt out trays  
 Spice rack  
 Stem glass holder  
 Tall utility cabinet with roll out trays  
 Wall cabinets prepared for Glass option or Grille option  
 Waste basket or recycle center slide-out  
 Wine Rack  
 Other \_\_\_\_\_

## OTHER DESIGN ELEMENTS:

DECORATING STYLE

- Country  Contemporary  
 Traditional  Other \_\_\_\_\_

COUNTER TOPS

- Laminate  Ceramic  Solid Surface \_\_\_\_\_  
 Butcher Block  Other \_\_\_\_\_

FLOORING

- Vinyl  Wood  Ceramic  Slate  Carpet

INTERIOR WALLS

- Brick  Drywall  Plaster

## CABINETS

DOOR STYLE

WOOD SPECIES

FINISH STAIN COLOR



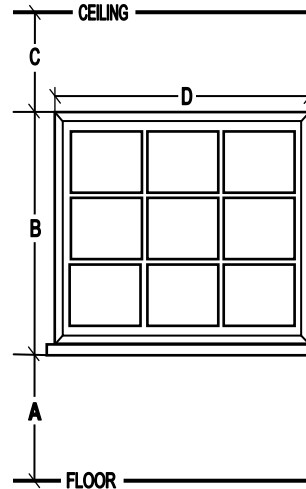
# Structural Measurements

## WINDOWS

Measure each window in the kitchen and record below. All measurements should be from the outside edge of the trim. If window treatments are to be used they will be  inside or  outside mount.

Record all measurements in inches

Window	A	B	C	D
1				
2				
3				
4				

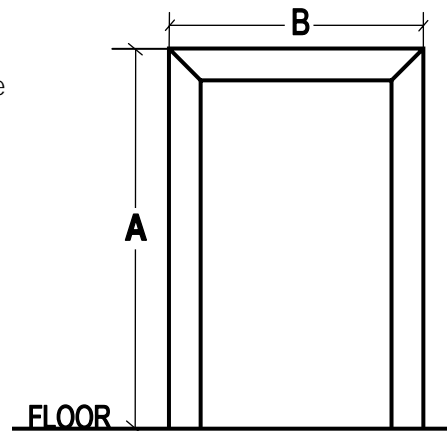


## DOORS

Measure each door in the kitchen and record below. All measurements should be from the outside edge of the trim. If patio doors are to have draperies or blinds, they will be:  inside or  outside mount.

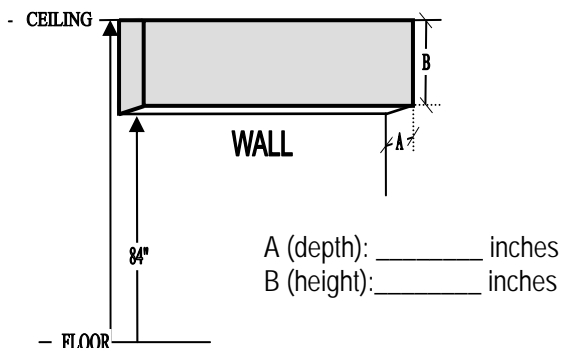
Record all measurements in inches

Door	A	B	Hinge (L/R)	Swing (In /Out)
1				
2				
3				
4				



## SOFFIT

A soffit is the bulkhead between the ceiling and the top of the cabinets. Distance from the floor to the soffit should be at least 84". Allow 1/4" more if you install a 84" tall cabinet. Soffit depth may vary, however normal depth is 13" or 1" deeper than a wall cabinet. *Note: Check the soffit height and depth to ensure the cabinets do not extend beyond the existing soffits.*



## ROOM DETAILS:

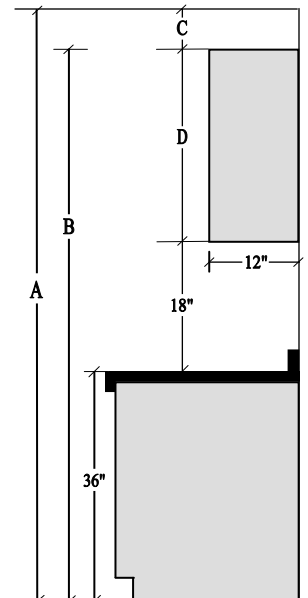
Record all measurements in inches

\_\_\_\_\_ A: Ceiling Height

\_\_\_\_\_ B: Cabinet Height

\_\_\_\_X\_\_\_\_ C: Soffit (depth & height)

\_\_\_\_\_ D: Wall Cabinet Height



# Appliances and Fixtures

Utilize this chart to record the measurements and information concerning your appliances and fixtures.  
If you want to change move or upgrade any appliances our design experts can help you with the latest information available!

	HIGH	DEEP	WIDE
<b>RANGE /COOKTOP UNITS:</b>	MAKE /MODEL # _____		
<input type="checkbox"/> Free-standing	_____	_____	_____
<input type="checkbox"/> Built-in range	_____	_____	_____
<input type="checkbox"/> Down-draft cook top	_____	_____	_____
<input type="checkbox"/> Built-in cook top	_____	_____	_____
NOTES:			
<b>HOOD UNITS:</b>	MAKE/MODEL # _____		
<input type="checkbox"/> Ductless hood	_____	_____	_____
<input type="checkbox"/> Hood ducted to outside	_____	_____	_____
NOTES:			

<b>BUILT IN OVENS:</b>	MAKE/MODEL # _____		
<input type="checkbox"/> Built-in single oven	_____	_____	_____
<input type="checkbox"/> Built-in double oven	_____	_____	_____
NOTES:			

<b>MICROWAVE UNITS:</b>	MAKE/MODEL # _____		
<input type="checkbox"/> Built-in	_____	_____	_____
<input type="checkbox"/> Free-standing	_____	_____	_____
<input type="checkbox"/> Spacemaker	_____	_____	_____
NOTES:			

<input type="checkbox"/> <b>WINE COOLER:</b>	MAKE/MODEL # _____		
NOTES:			

	HIGH	DEEP	WIDE
<b>REFRIGERATORS:</b>	MAKE/MODEL # _____		
<input type="checkbox"/> Top-mount freezer	_____	_____	_____
<input type="checkbox"/> Bottom-mount freezer	_____	_____	_____
<input type="checkbox"/> Side-by-Side	_____	_____	_____
<input type="checkbox"/> Full Door	_____	_____	_____
<input type="checkbox"/> Ice Maker	_____	_____	_____
NOTES:			

<b>SINK:</b>	MAKE/MODEL # _____		
<input type="checkbox"/> Single bowl	_____	_____	_____
<input type="checkbox"/> Double bowl	_____	_____	_____
<input type="checkbox"/> L-shaped corner	_____	_____	_____
<input type="checkbox"/> Apron front	_____	_____	_____
<input type="checkbox"/> Prep sink	_____	_____	_____
<input type="checkbox"/> Water filter <input type="checkbox"/> Hot water dispenser			
<input type="checkbox"/> Garbage Dis-                 posal			
NOTES:			

<input type="checkbox"/> <b>DISHWASHER</b>	MAKE/MODEL # _____		
NOTES:			

<input type="checkbox"/> <b>TRASH COMPACTOR</b>	MAKE/MODEL # _____		
NOTES:			